

Eco-friendly Solutions of Hotel Cosmetics & Dispensers

1, WET+DRY

Deep clean the wall with a wet cloth and use a dry cloth to thoroughly dry it.

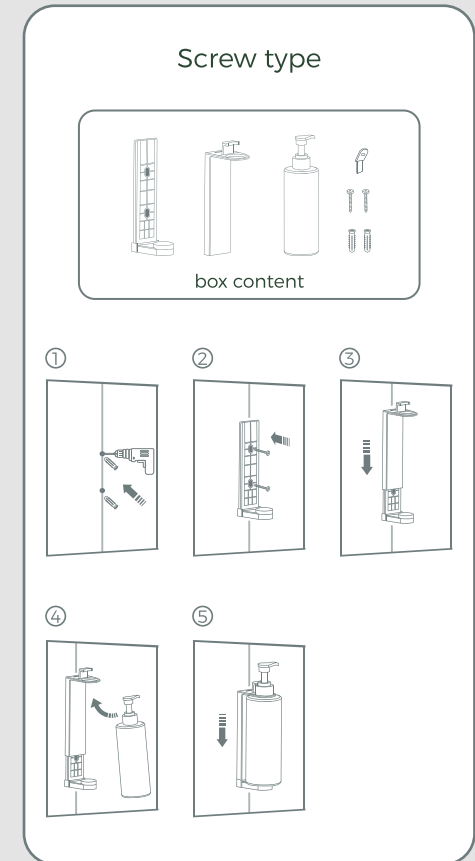
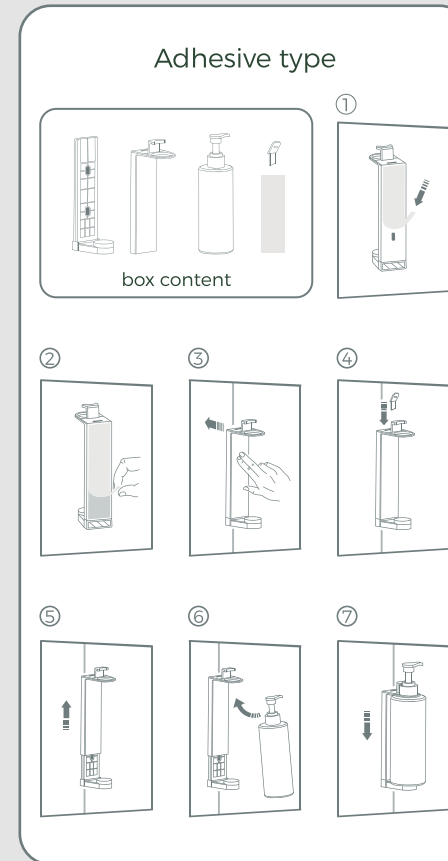
2, 30 S

Stick the bracket onto the wall and firmly press the entire bracket for 30 seconds.

3, 1 DAY

Avoid any contact or loading onto the bracket for the next 24 hours.

- Do not install the bracket on ceramic tile joints.
- Suitable environmental temperature for installation: 15-38°C (59-100.4°F).
- The adhesives are best-suited for smooth surfaces, e.g., ceramic tiles, glass/metal/plastic panels.
- Screw the bracket onto uneven or matte surfaces instead of using the adhesives.
- Improper installation may cause the bracket to take damage from fall.
- This instruction is only applicable for installation by adhesives.



Wenesy Pump Dispenser MAX

Easy to install

Eco-friendly Solutions of Hotel Cosmetics & Dispensers



1, WET+DRY

Deep clean the wall with a wet cloth and use a dry cloth to thoroughly dry it.

2, 30 S

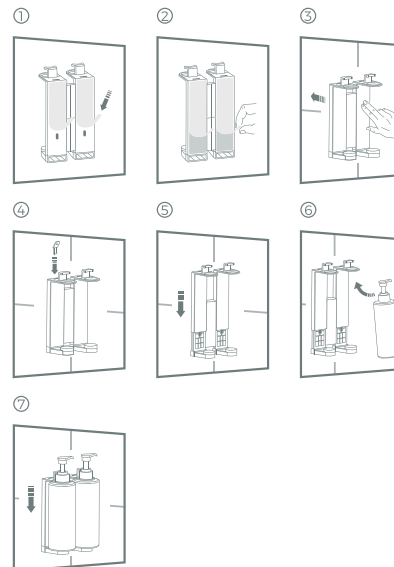
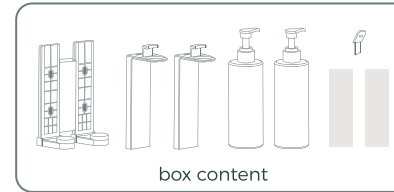
Stick the bracket onto the wall and firmly press the entire bracket for 30 seconds.

3, 1 DAY

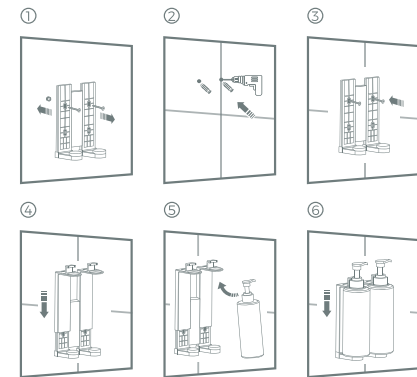
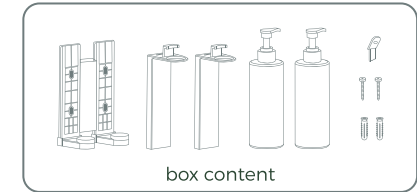
Avoid any contact or loading onto the bracket for the next 24 hours.

- Do not install the bracket on ceramic tile joints.
- Suitable environmental temperature for installation: 15-38°C (59-100.4°F).
- The adhesives are best-suited for smooth surfaces, e.g., ceramic tiles, glass/metal/plastic panels.
- Screw the bracket onto uneven or matte surfaces instead of using the adhesives.
- Improper installation may cause the bracket to take damage from fall.
- This instruction is only applicable for installation by adhesives.

Adhesive type



Screw type



If circumstance necessitates mounting your 2-in-1 brackets with screws, do so after removing the 2 preinstalled screw-nut pairings in the upper half part of the bracket.



Wenesy Pump Dispenser MAX 2 in 1

Easy to install

Eco-friendly Solutions of Hotel Cosmetics & Dispensers

1, WET+DRY

Deep clean the wall with a wet cloth and use a dry cloth to thoroughly dry it.

2, 30 S

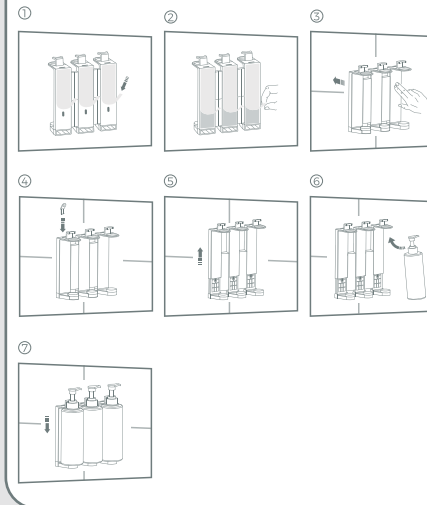
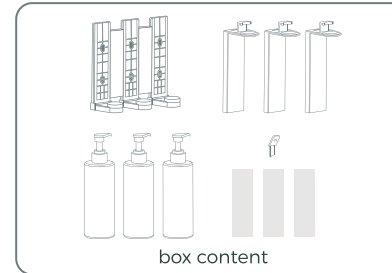
Stick the bracket onto the wall and firmly press the entire bracket for 30 seconds.

3, 1 DAY

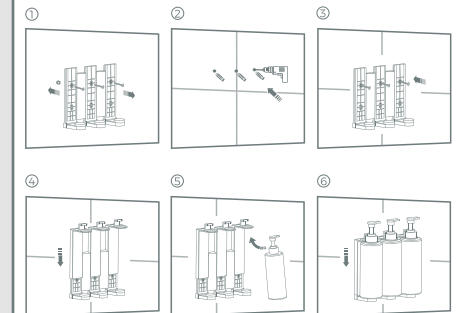
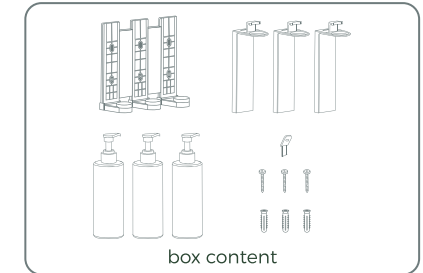
Avoid any contact or loading onto the bracket for the next 24 hours.

- Do not install the bracket on ceramic tile joints.
- Suitable environmental temperature for installation: 15-38°C (59-100.4°F).
- The adhesives are best-suited for smooth surfaces, e.g., ceramic tiles, glass/metal/plastic panels.
- Screw the bracket onto uneven or matte surfaces instead of using the adhesives.
- Improper installation may cause the bracket to take damage from fall.
- This instruction is only applicable for installation by adhesives.

Adhesive type



Screw type



If circumstance necessitates mounting your 3-in-1 brackets with screws, do so after removing the 3 preinstalled screw-nut pairings in the upper half part of the bracket.



Wenesy Pump Dispenser MAX 3 in 1

Easy to install